

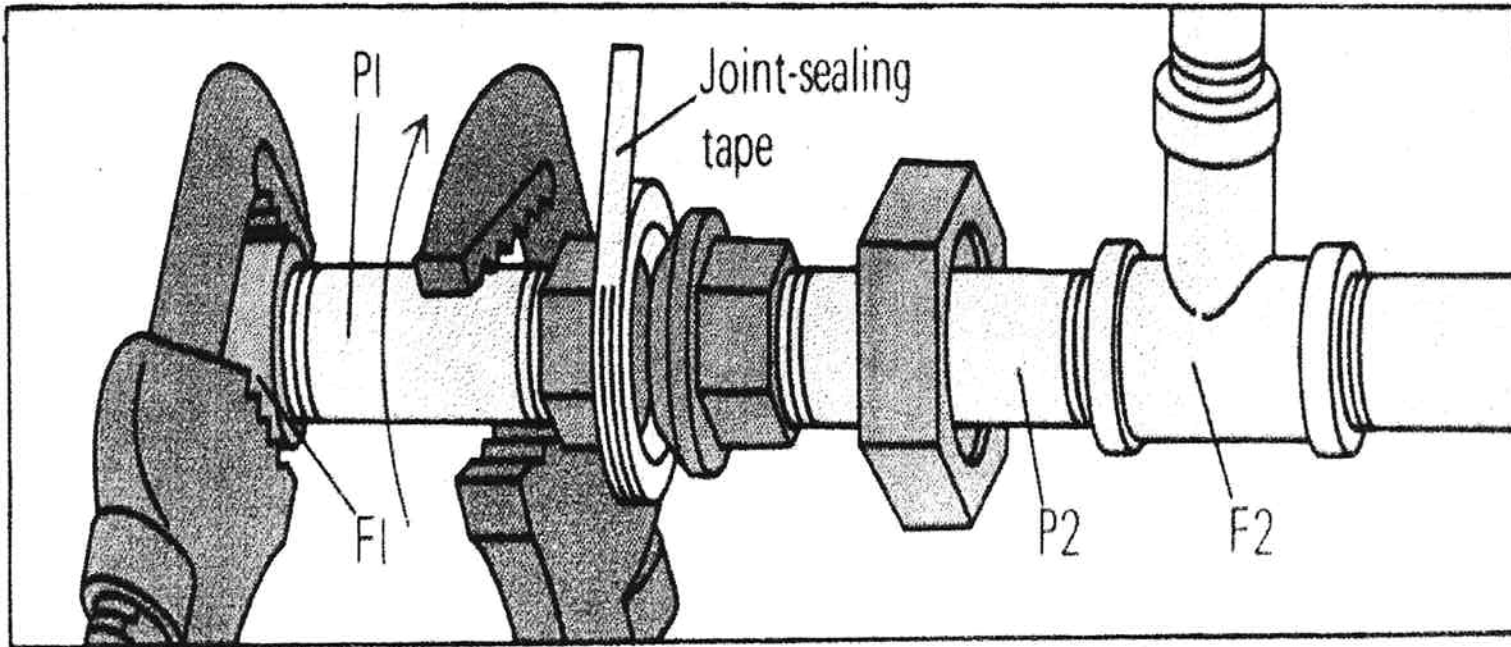


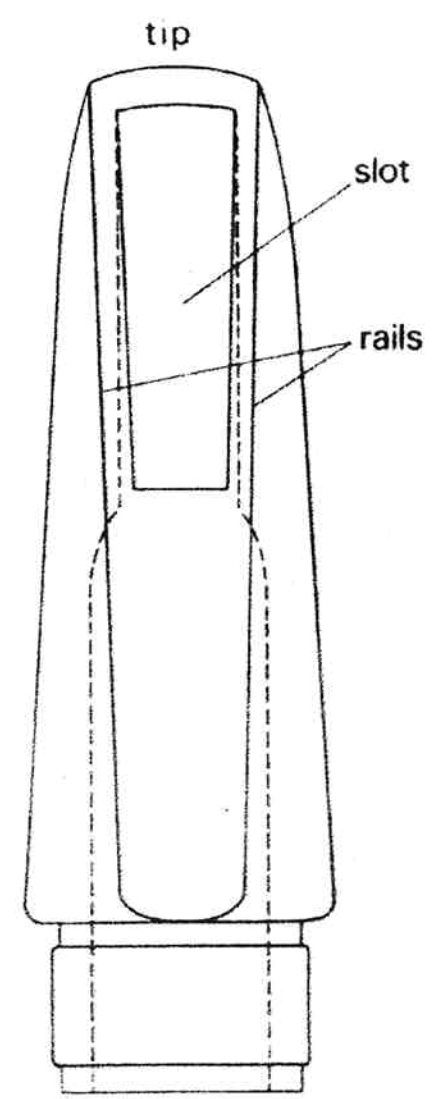
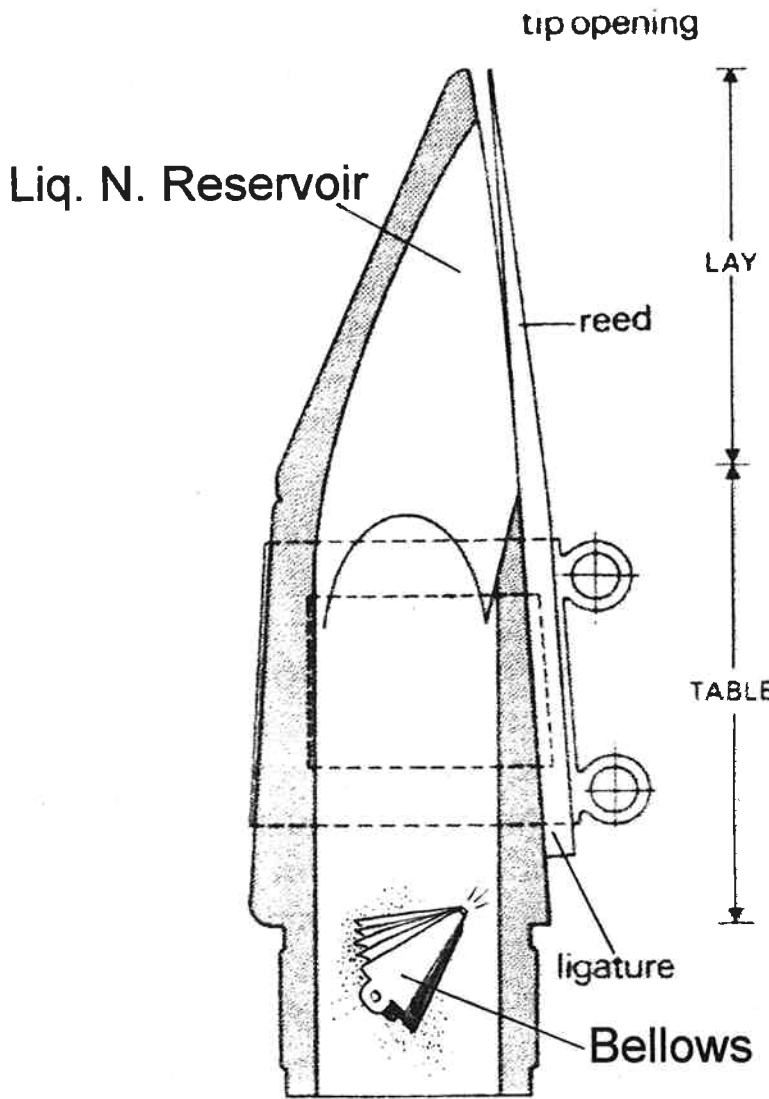
THE CLARINETTE

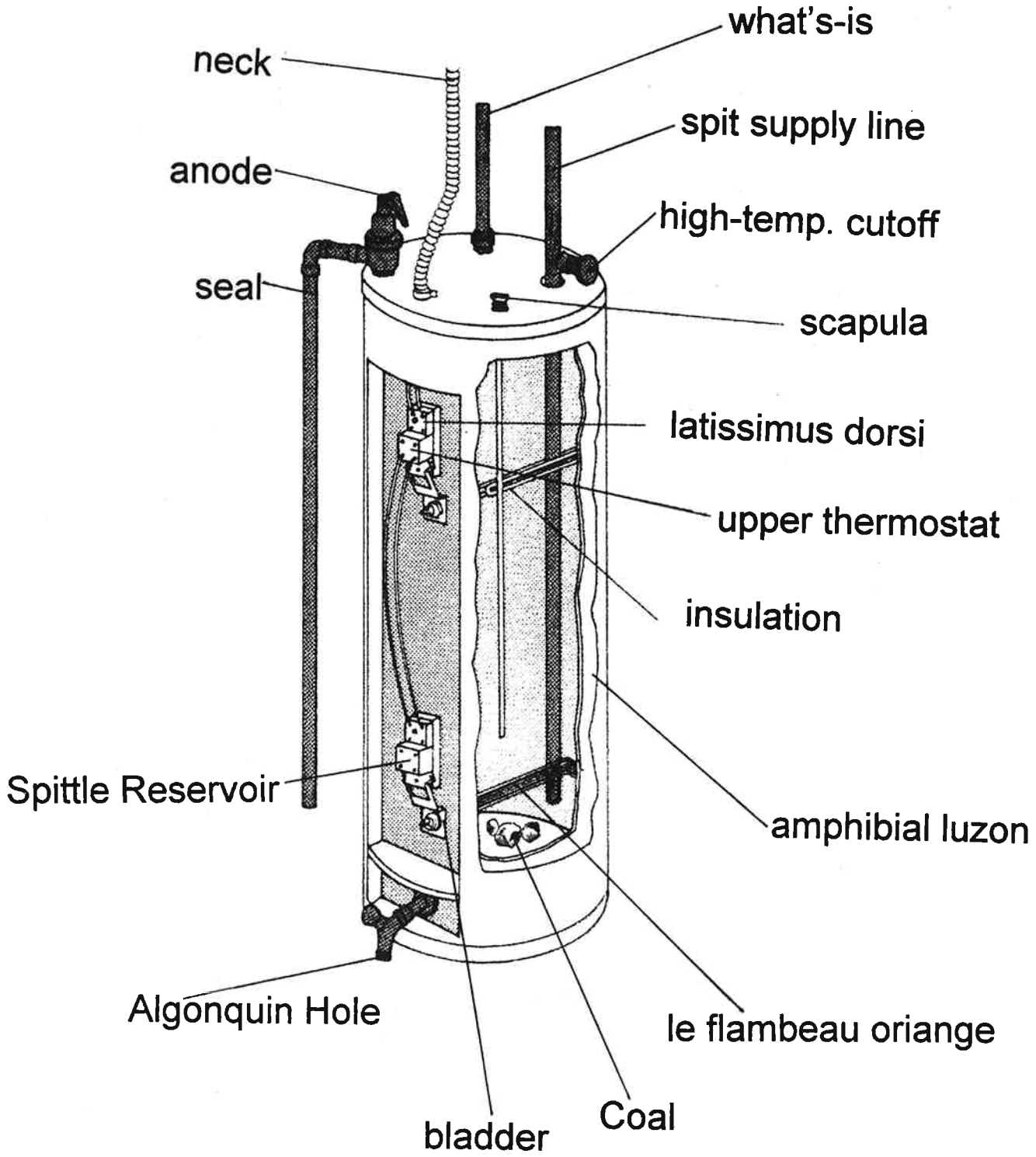
ERA	YEARS AGO	PERIOD	EPOCH	CHARACTERIZED BY	
Archeozoic	5,000,000,000-1,500,000,000			earth's crust formed; unicellular organisms; earliest known life	
Proterozoic	1,500,000,000-600,000,000			bacteria, algae, and fungi; primitive multicellular organisms	
Paleozoic	600,000,000-500,000,000	Cambrian		marine invertebrates	
	500,000,000-440,000,000	Ordovician		conodonts, ostracods, algae, and seaweeds	
	440,000,000-400,000,000	Silurian		air-breathing animals	
	400,000,000-350,000,000	Devonian		dominance of fishes; advent of amphibians and ammonites	
	350,000,000-300,000,000	Mississippian	Carboniferous	increase of land areas; primitive ammonites; development of winged insects	
	300,000,000-270,000,000	Pennsylvanian		warm climates; swampy lands; development of large reptiles and insects	
	270,000,000-220,000,000	Permian		many reptiles	
Mesozoic	220,000,000-180,000,000	Triassic		volcanic activity; marine reptiles, dinosaurs	
	180,000,000-135,000,000	Jurassic		dinosaurs, conifers	
	135,000,000-70,000,000	Cretaceous		extinction of giant reptiles; advent of modern insects; flowering plants	
Cenozoic	70,000,000-60,000,000	Paleogene	Tertiary	Paleocene	advent of birds, mammals
	60,000,000-40,000,000			Eocene	presence of modern mammals
	40,000,000-25,000,000			Oligocene	saber-toothed cats
	25,000,000-10,000,000	Neocene		Miocene	grazing mammals
	10,000,000-1,000,000			Pliocene	growth of mountains; increase in size and numbers of mammals; gradual cooling of climate
	1,000,000-10,000	Quaternary		Pleistocene	clarinets, clarinet cases
	10,000-present			Recent	development of man

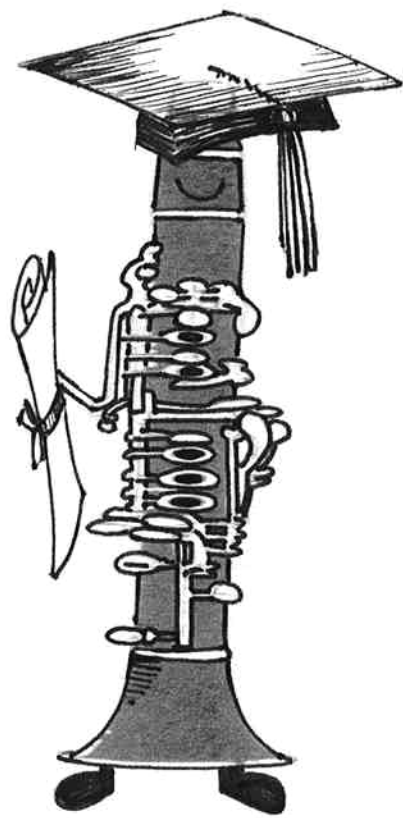
To Mouthpiece ⇒

⇐ To Basement









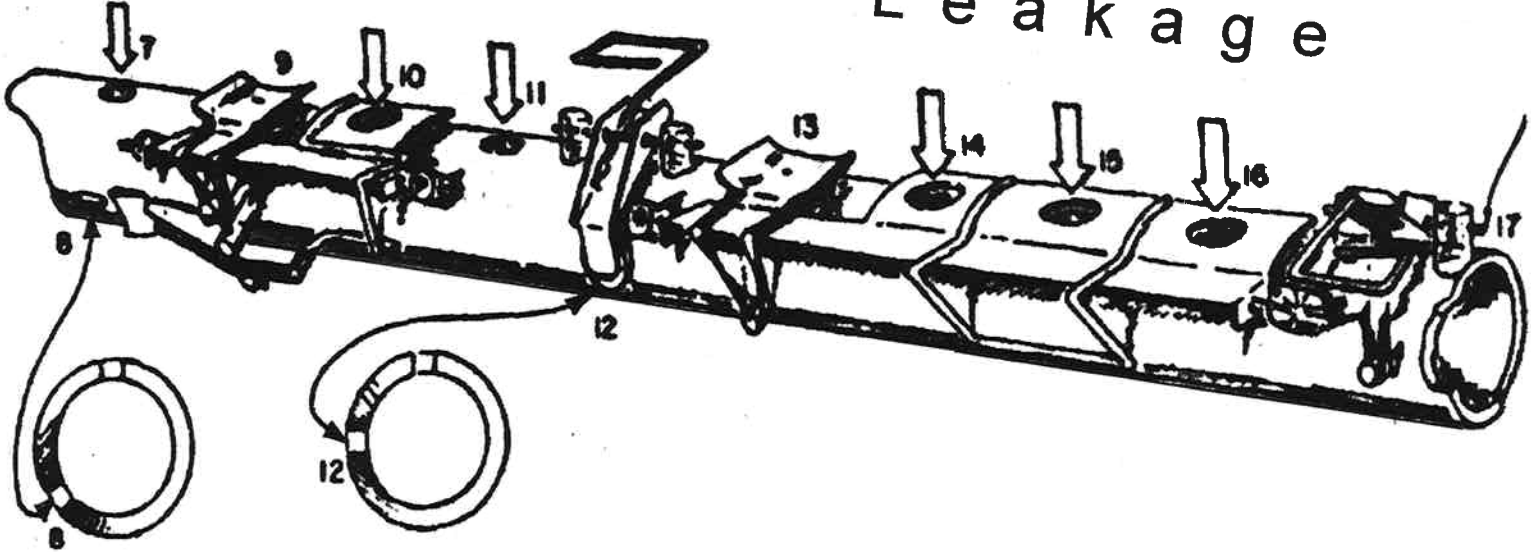






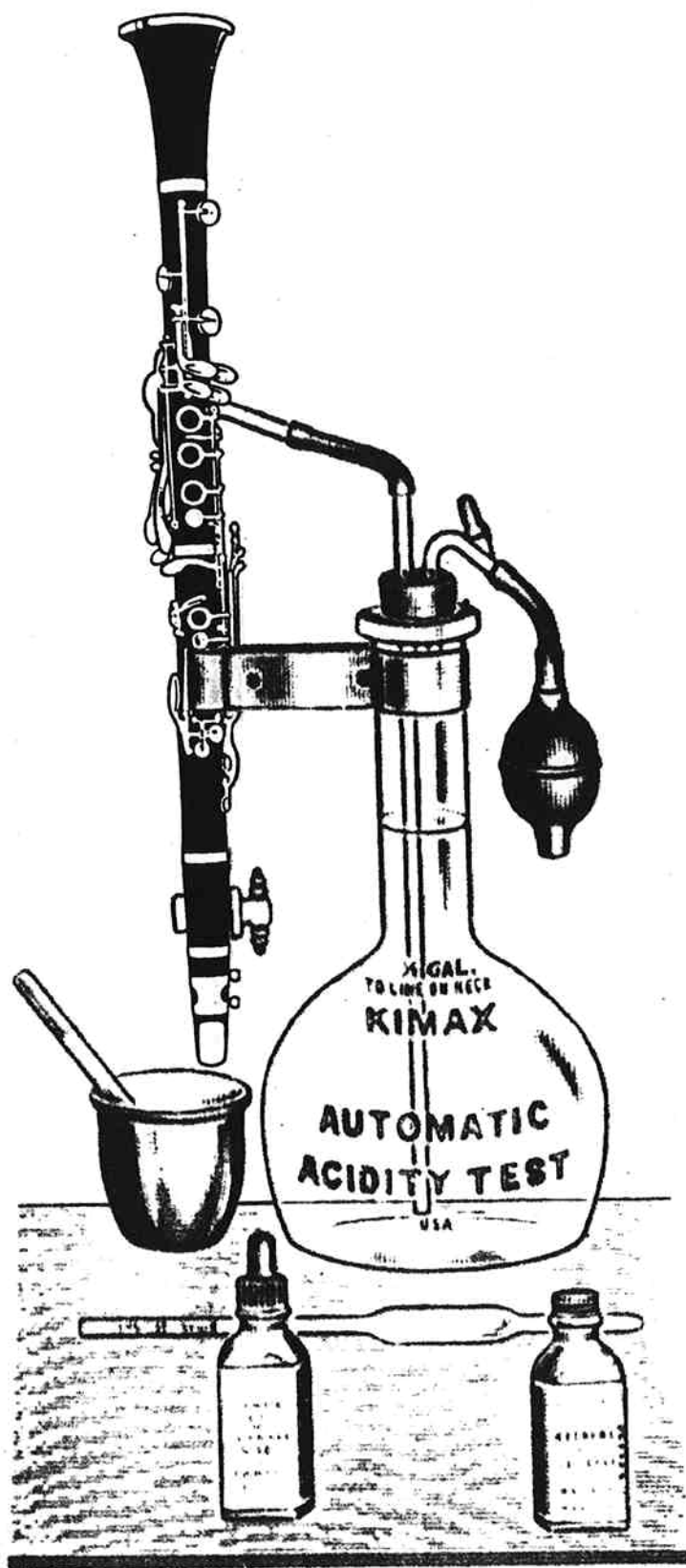
CENSORED

L e a k a g e



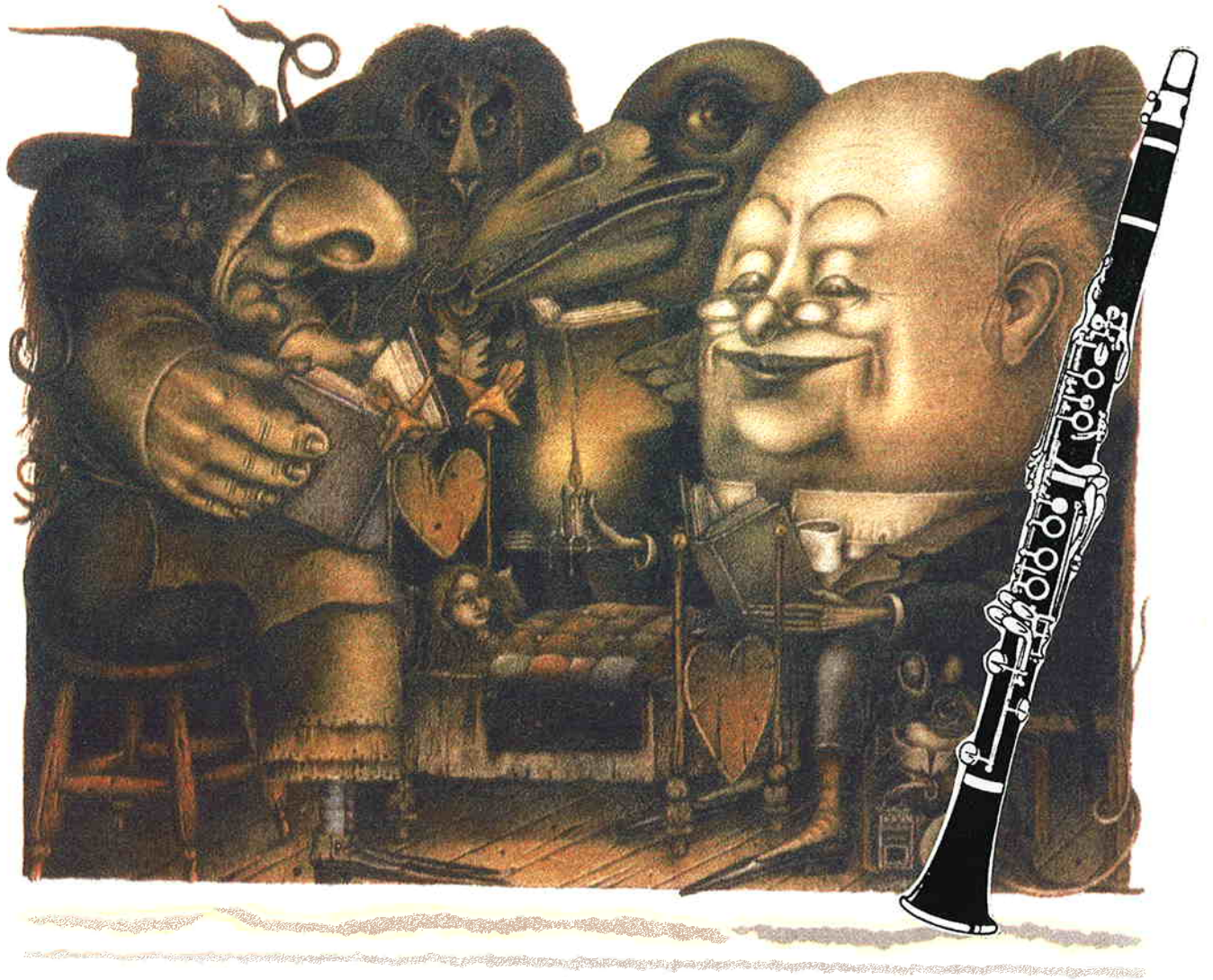
X





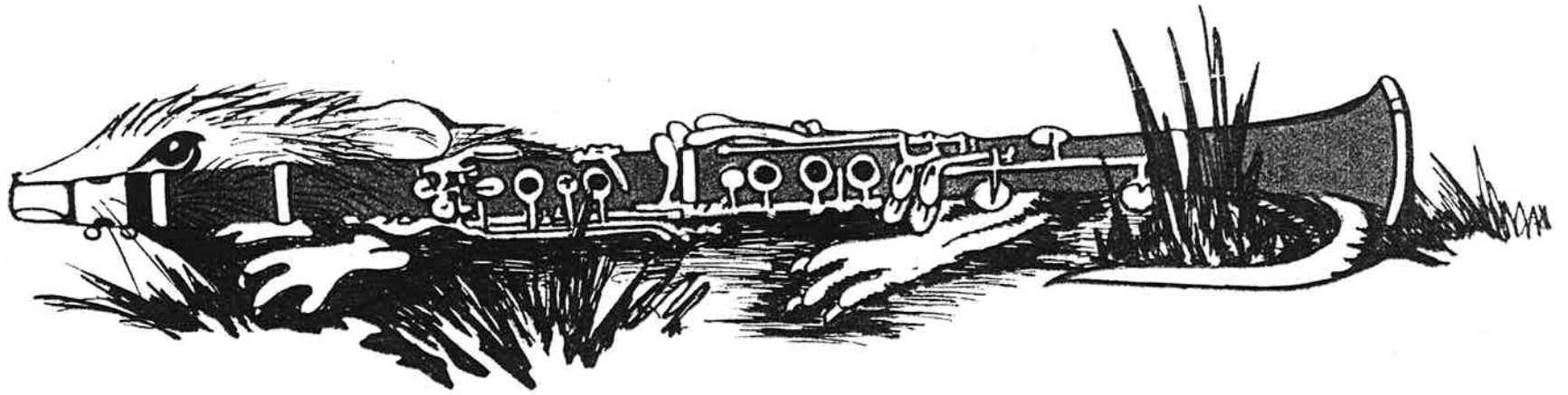
51065-10







Rodent



Not a Rodent



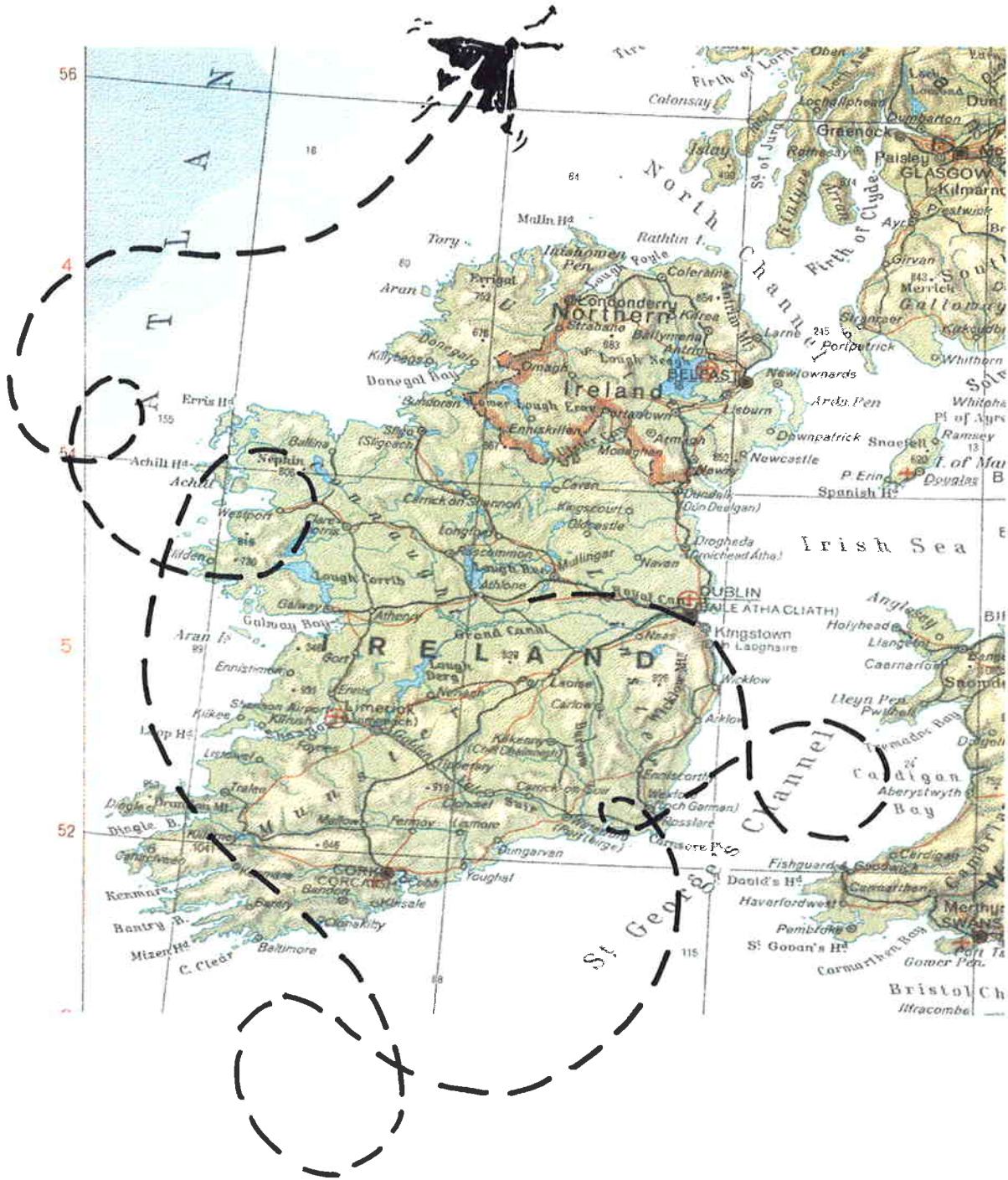


Patrick



IRELAND
THIS WAY

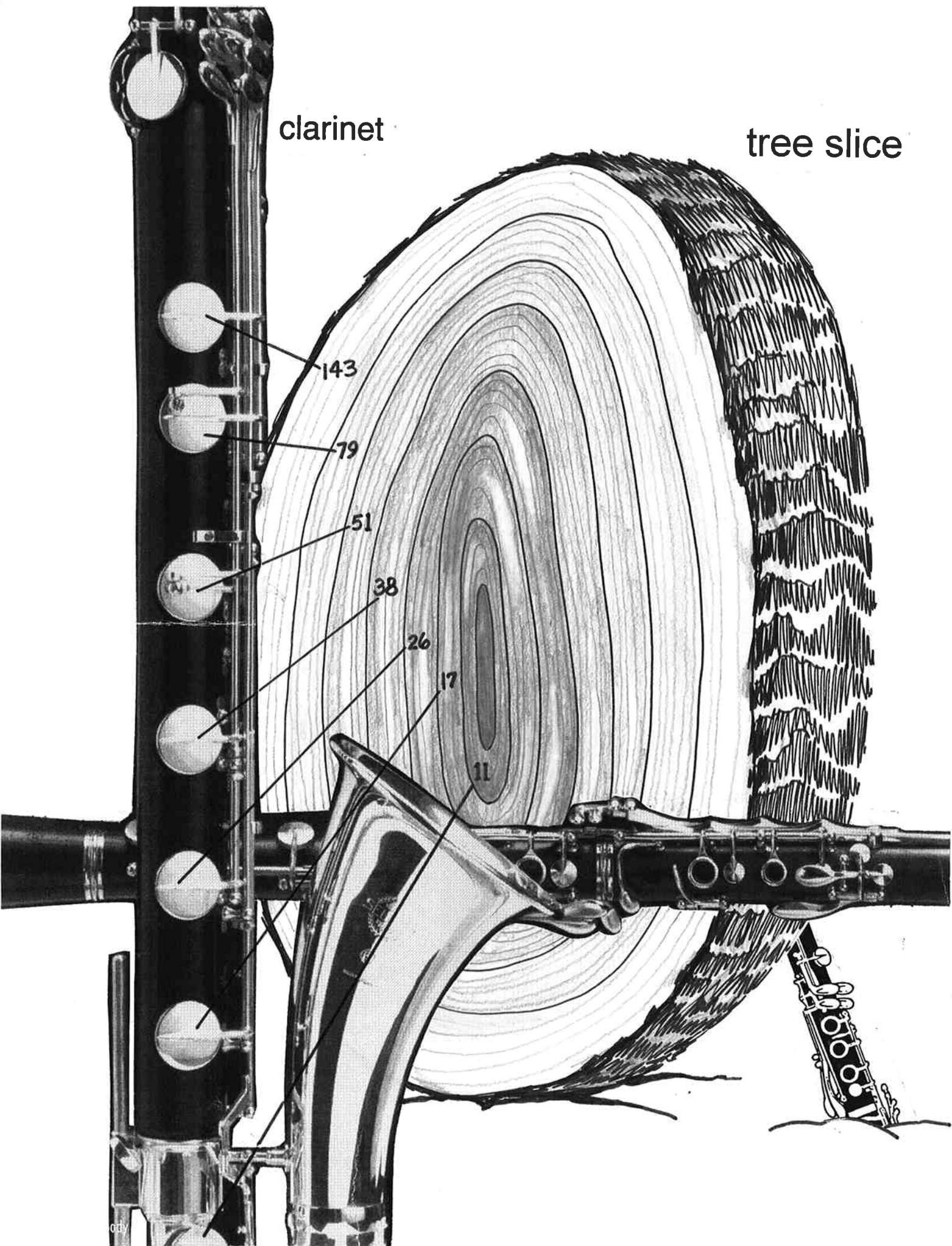
← Las Vegas



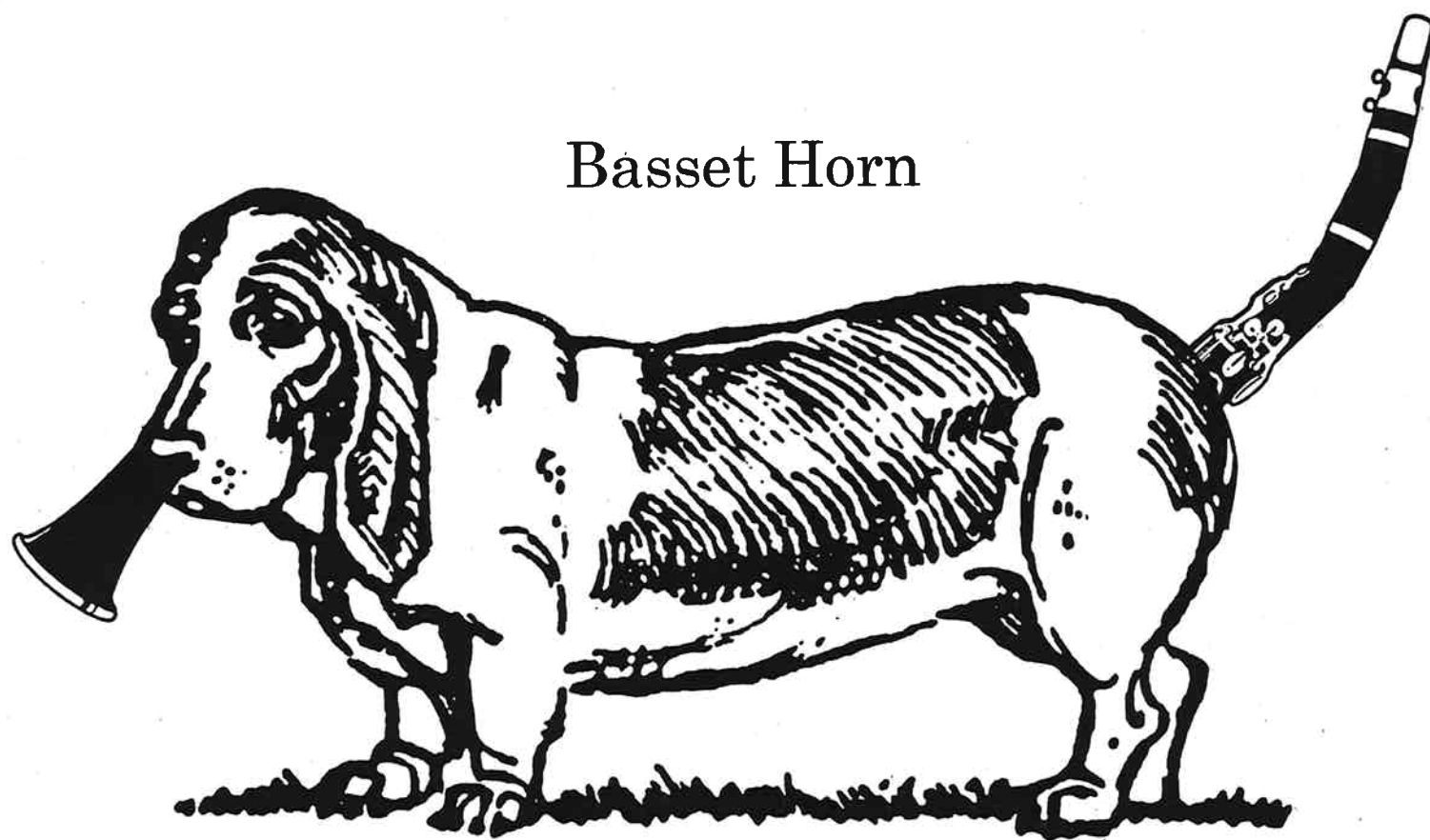


clarinet

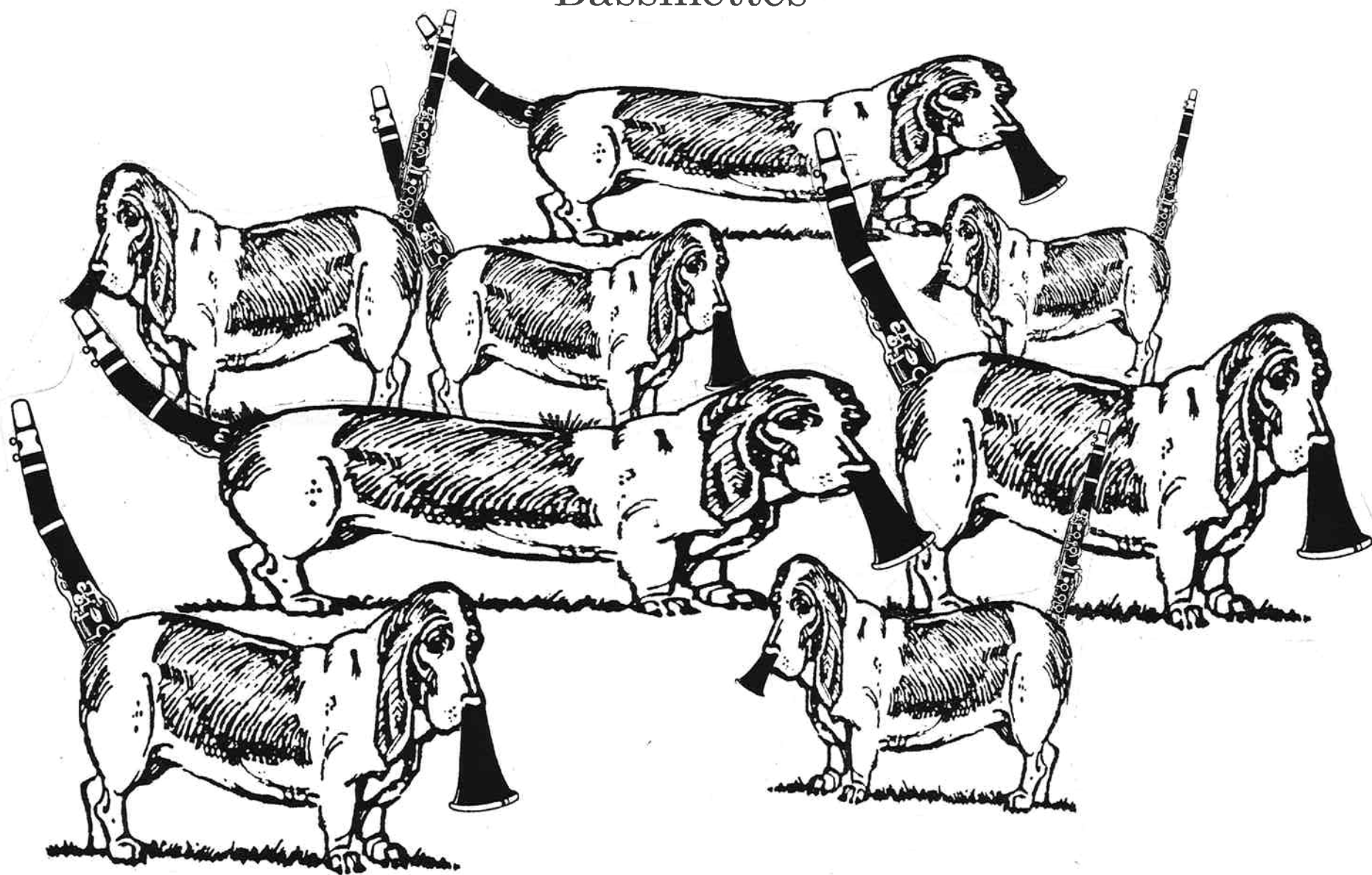
tree slice



Basset Horn



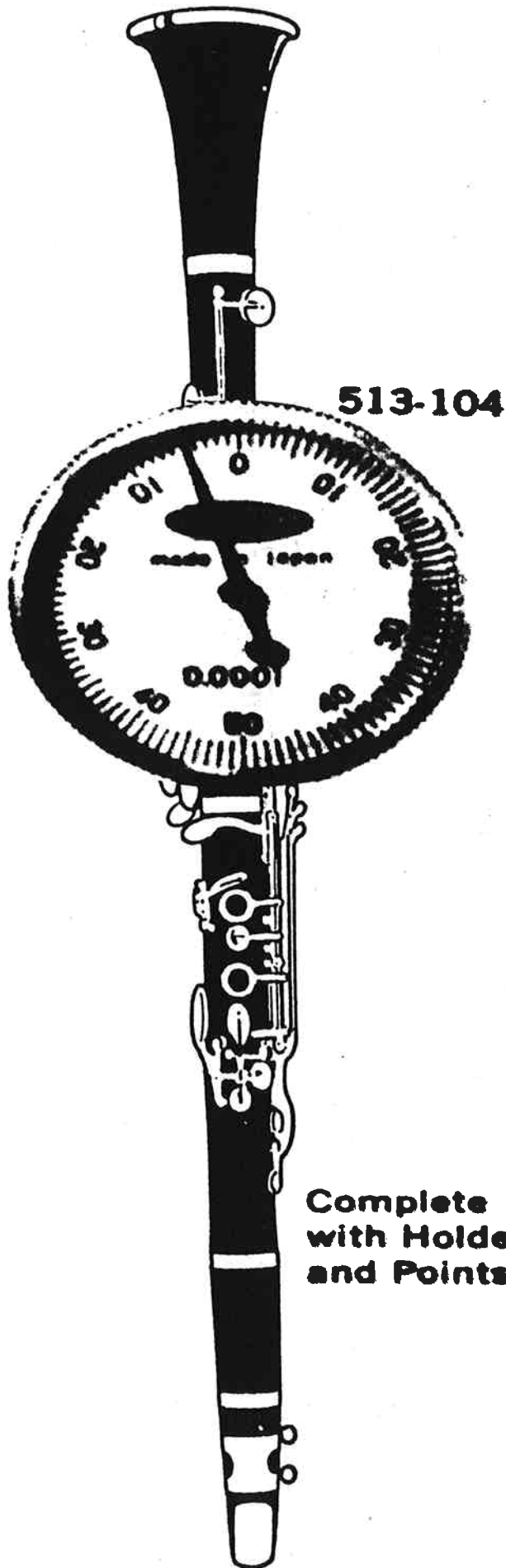
Bassinettes





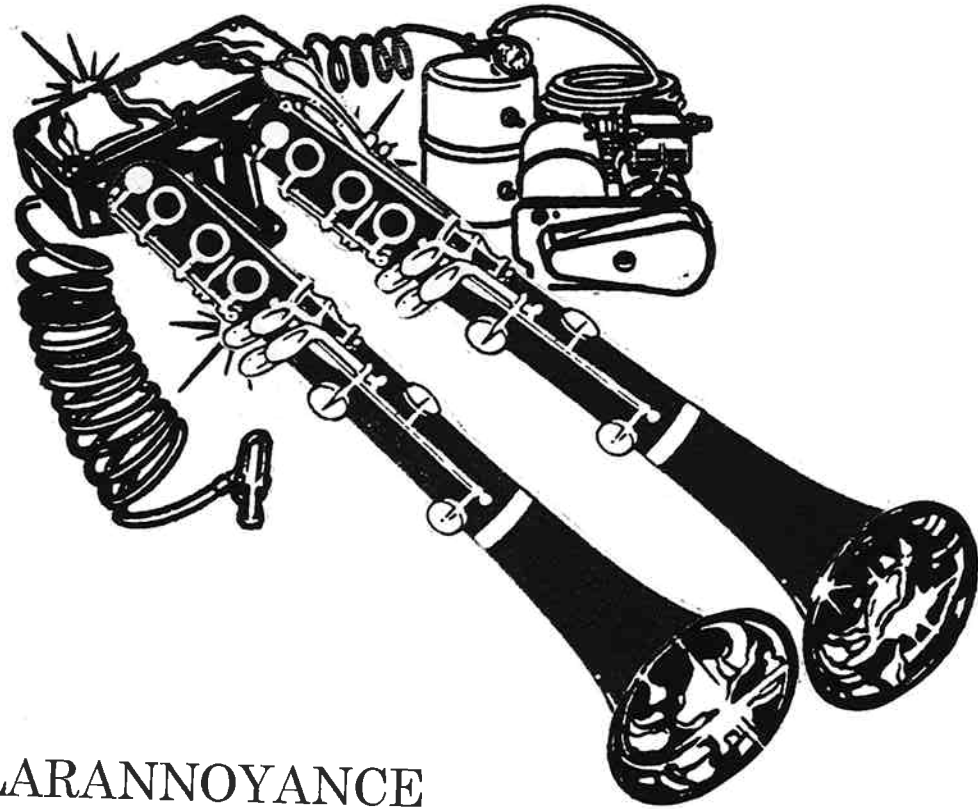




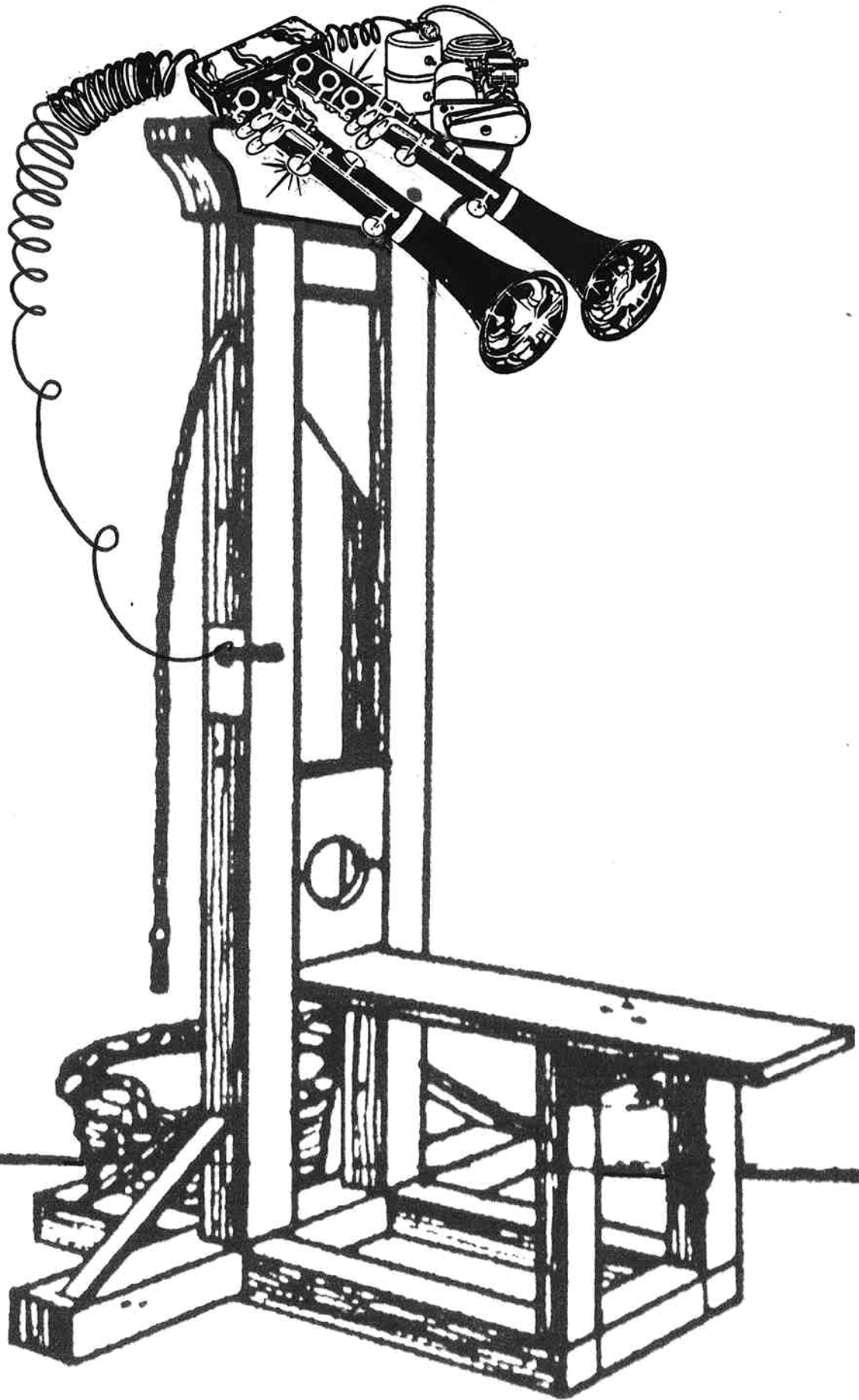


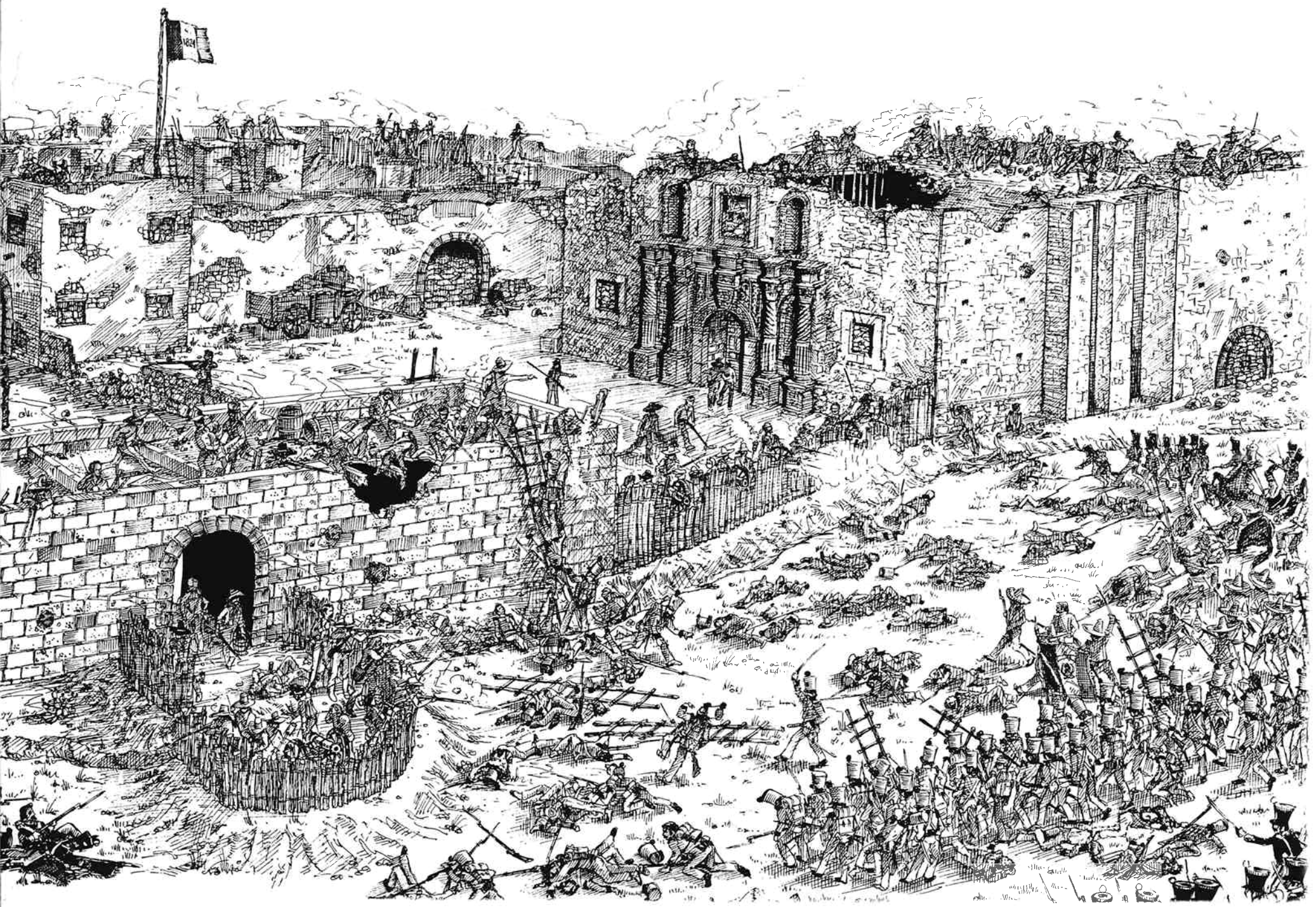
513-104

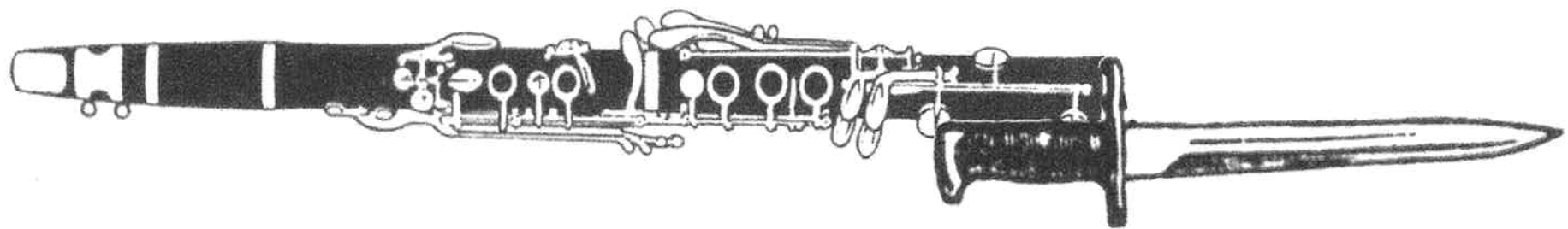
**Complete
with Holders
and Points**

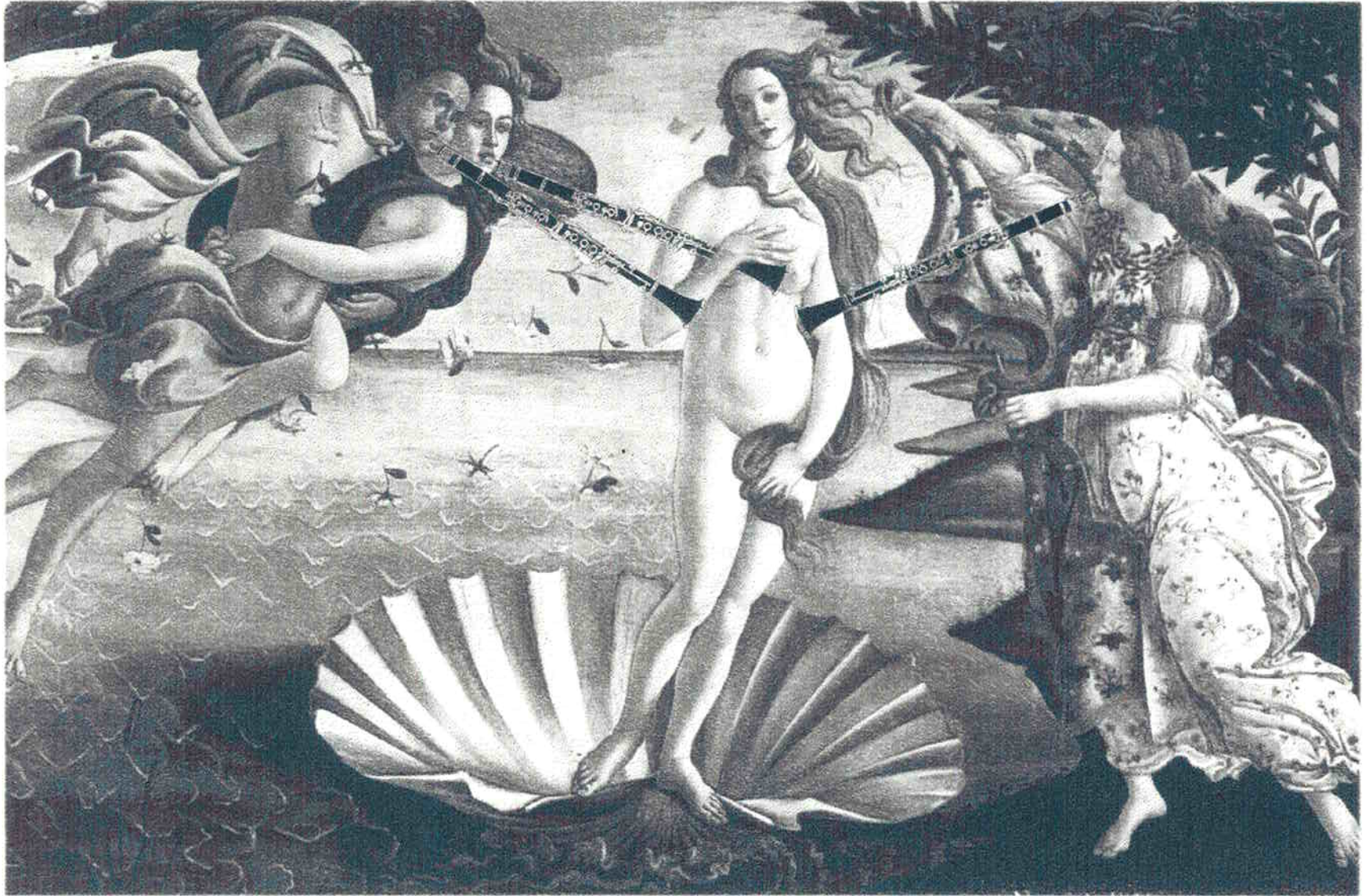


CLARANNOYANCE





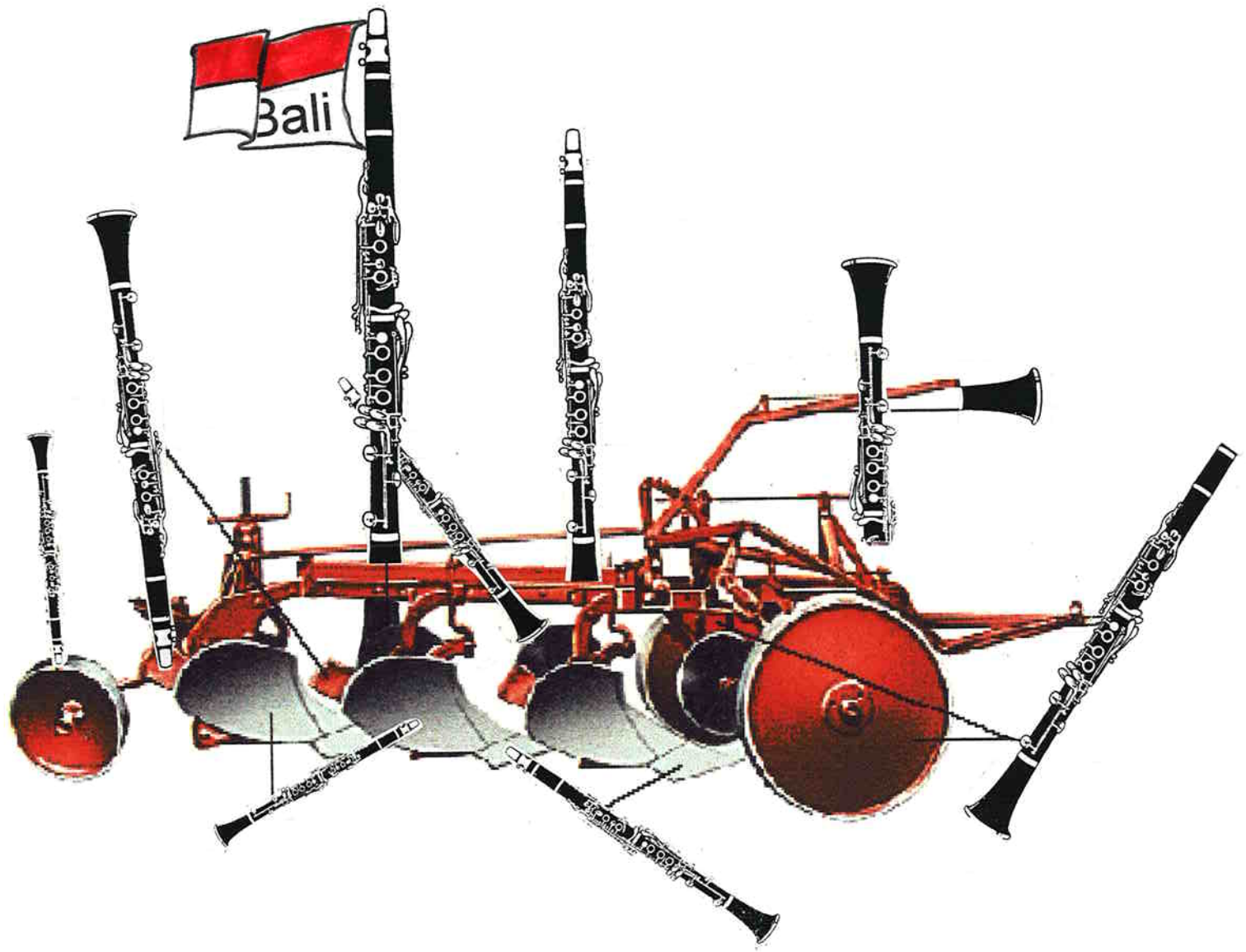




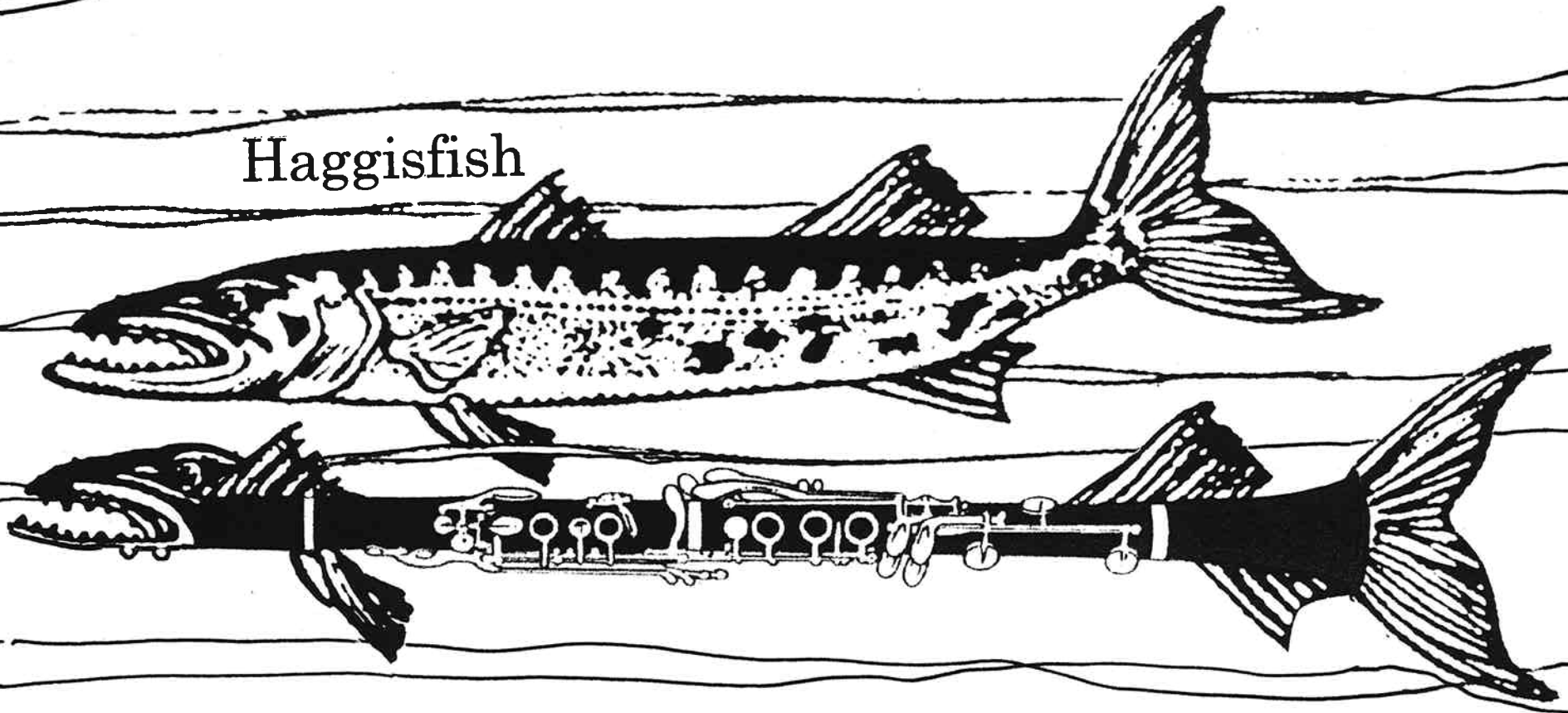




Algonquin Hole in the Wheezle Galaxy



Haggisfish



Not a Haggisfish

$$Q = 2\pi L C d_1 (t_1 - t_2)$$

$$Q = \frac{2\pi L \lambda}{L(\frac{d}{r})} (t_1 - t_2)$$

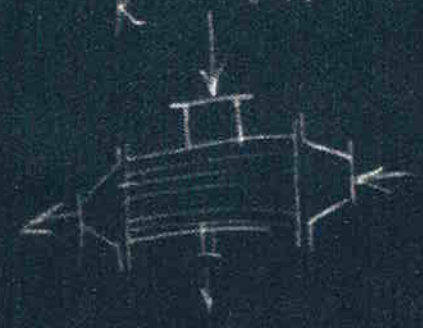
$$Q = 2\pi L T_1 \alpha_2 (t_1 - t_2)$$

$$\frac{2\pi L}{2\pi L} \frac{L(\frac{d}{r})}{\lambda} = \dots$$

$$\frac{Q}{Q} \cdot \frac{1}{\lambda} = t_1 - t_2$$



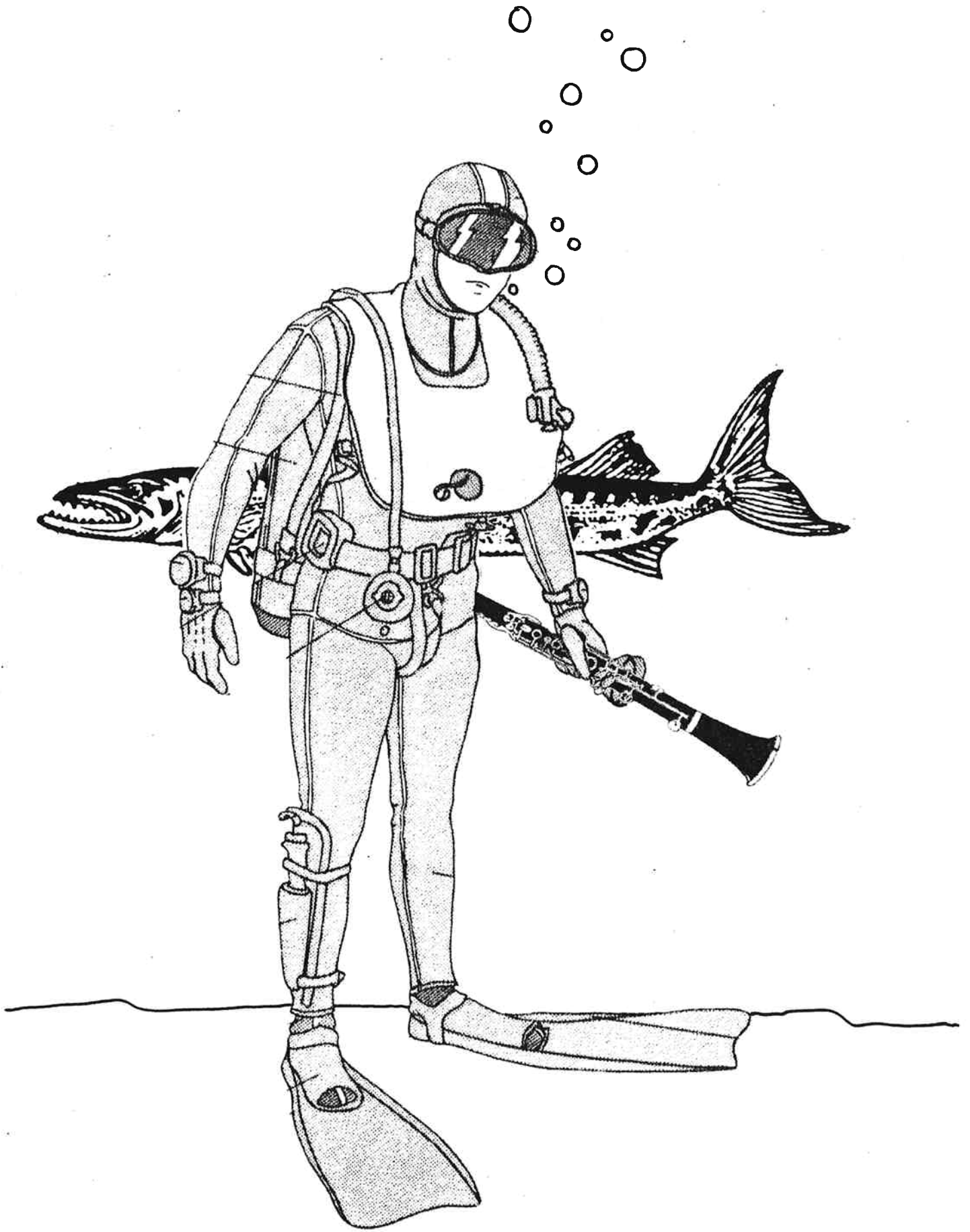
$$\frac{1}{k} = \frac{1}{d_1} + \frac{\delta}{\lambda} + \frac{1}{d_2}$$



$$\frac{1}{k} = \frac{1}{4000} + \dots$$

$$\frac{1}{k} = 0.00025$$

$$k = 300$$





Nascita di Venere - Botticelli